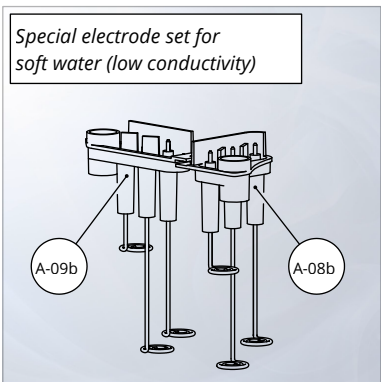
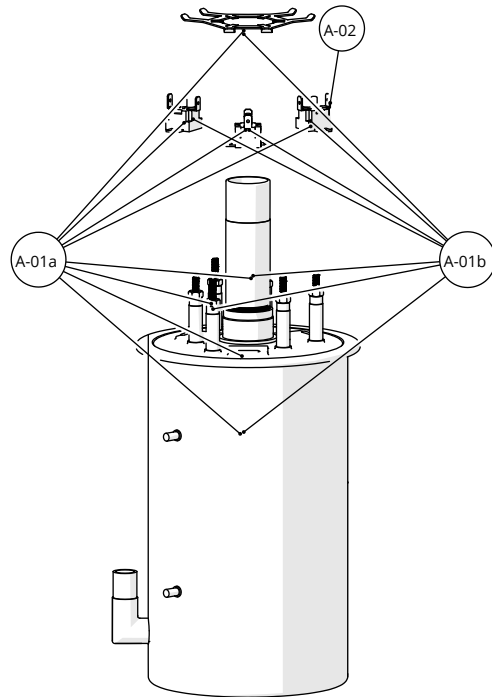
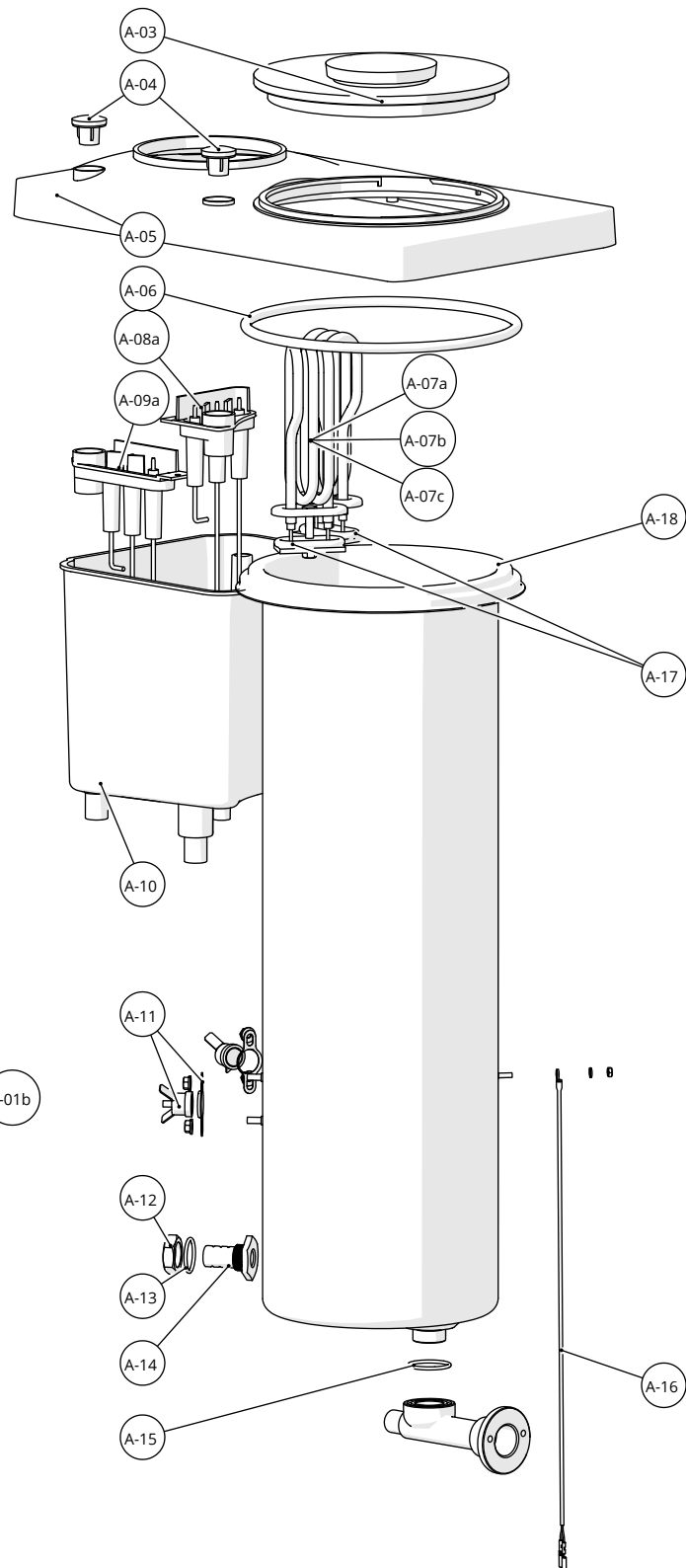


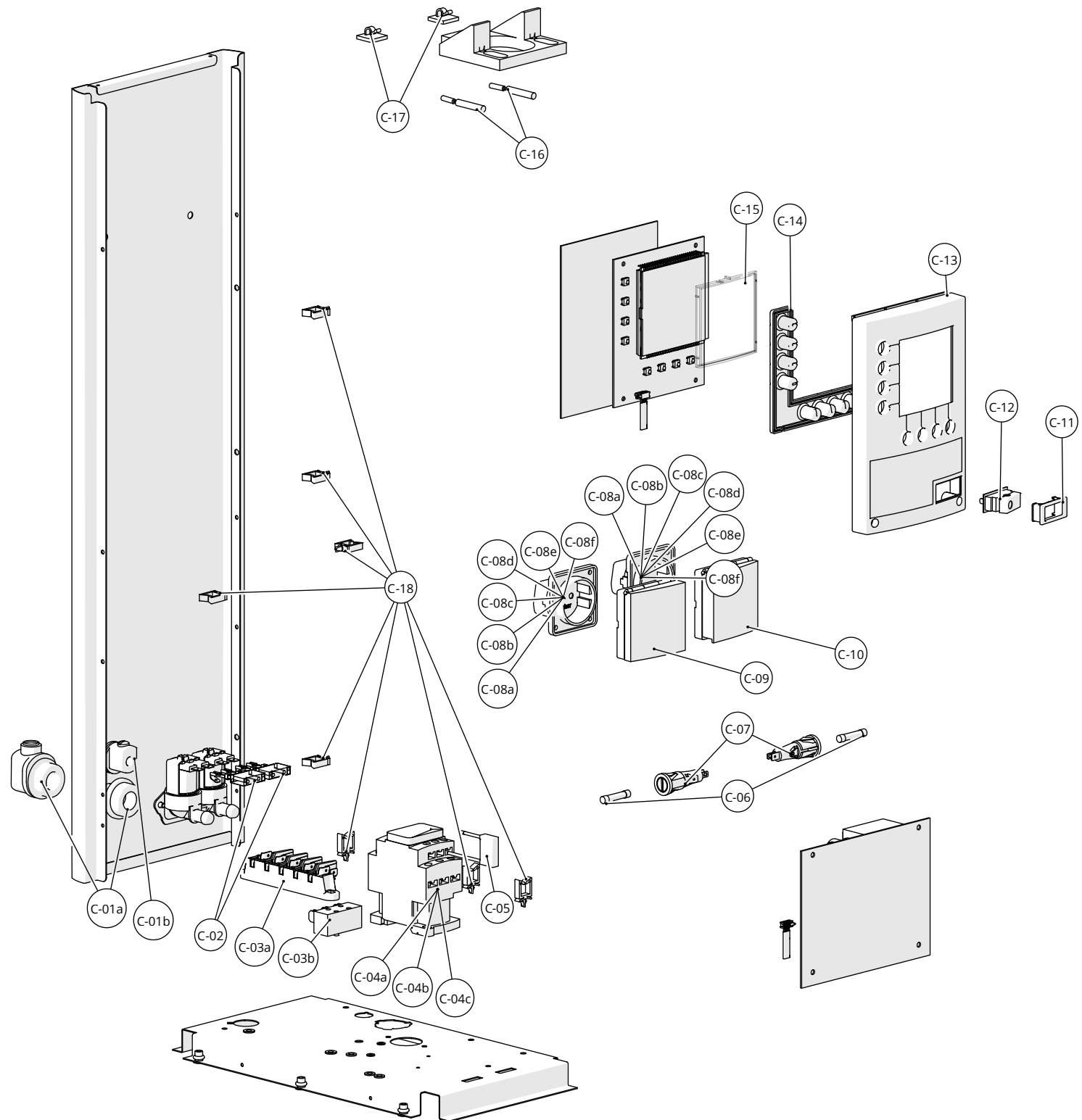
Note:

These exploded views apply only to version 1.0.
The version can be determined from the 9th digit of the
8 number on the nameplate **A** (8.xxx.xxx.x1xxx).

ID	Service parts	S-RS	Description
A-01a	6.000.206.414	RS	Flow boiler B 20(HW) (STD)
A-01b	6.000.206.630	RS	Flow boiler B 20(HW) (J)
A-02	6.016.008.052	RS	High temperature safety switch
A-03	6.000.211.757	S	Lid for hot water tank
A-04	6.311.090.001	S	Descaling plug
A-05	6.311.087.001	S	Lid column B HW
A-06	6.311.112.001	S	Gasket
A-07a	6.236.158.000	RS	Heating element 240V 1200W
A-07b	6.236.251.000	RS	Heating element 210V 1215W (J)
A-07c	6.311.177.000	RS	Heating element 440V 1330W (SCH)
A-08a	6.205.855.000	S	Electrode support B HW standard
A-08b	6.305.052.000	S	Electrode support B HW special
A-09a	6.205.856.000	S	Electrode support B and B HW standard
A-09b	6.305.053.000	S	Electrode support B and B HW special
A-10	6.205.851.001	DT	Water tank column B HW-series
A-11	6.016.008.064	RS	High temp. safety switch 115°C
A-12	6.001.045.002	S	Nut 3/8 chrome-plated brass
A-13	6.011.001.195	S	O-ring 19x2
A-14	6.236.243.001	S	Nipple for tank
A-15	6.011.001.055	RS	O-ring
A-16	6.236.188.000	RS	Temperature sensor (assy)
A-17	6.011.031.001	S	Gasket
A-18	6.206.601.000	S	Hot water reservoir B 20HW

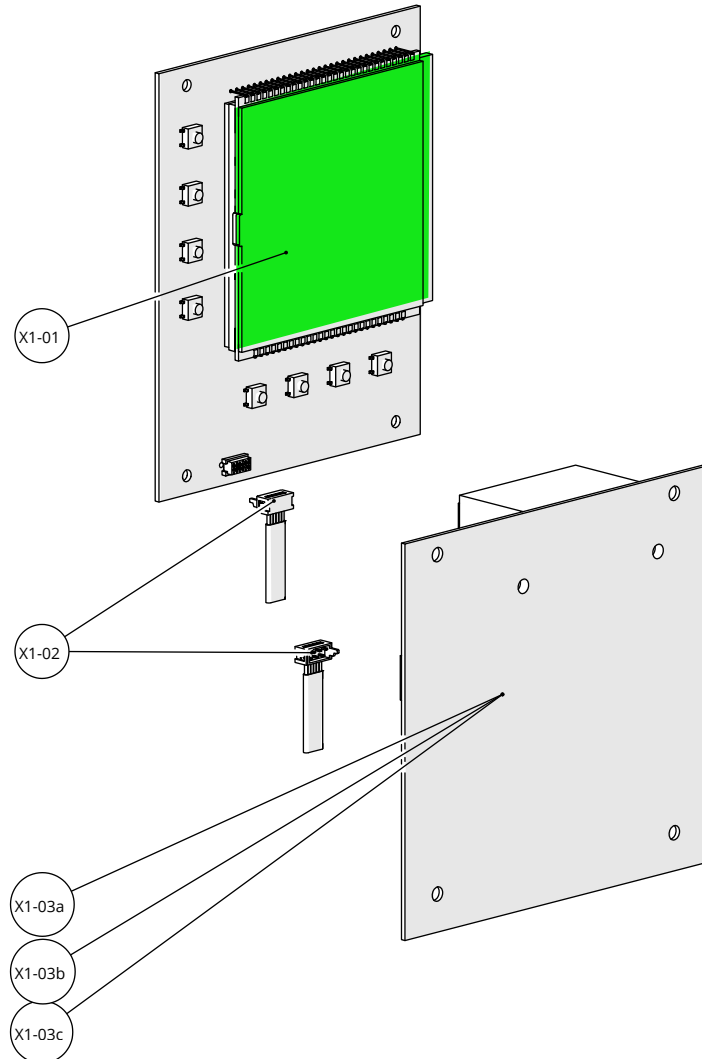


ID	Service parts	S-RS	Description
C-01a	6.006.001.002	S	Cord inlet
C-01b	6.006.001.001	S	Cord inlet (marine)
C-02	6.211.772.000	S	RC combination
C-03a	6.002.019.160	DT	Connection clamp (400V3N)
C-03b	6.002.019.151	S	Wiring strip (marine)
C-04a	6.004.008.014	RS	Relay 230V 50/60Hz
C-04b	6.004.008.023	RS	Relay 120V/60Hz
C-04c	6.004.008.024	RS	Relay 200V 50/60Hz
C-05	6.211.773.000	S	RC combination
C-06	6.005.011.015	S	Fuse 2A (10 pcs)
C-07	6.005.012.008	S	Fuse holder
C-08a	6.006.005.100	S	Socket (STD)
C-08b	6.006.005.103	S	Socket (CH)
C-08c	6.006.005.104	S	Socket (GB)
C-08d	6.006.005.107	S	Socket (AUS)
C-08e	6.006.005.108	S	Socket (DK)
C-08f	6.006.005.105	S	Socket (NA)
C-09	6.205.865.000	S	Flap for socket left
C-10	6.205.864.000	S	Flap for socket right
C-11	6.401.217.001	S	Adapter switch
C-12	6.004.001.069	RS	Switch
C-13	6.205.859.001	S	Service panel
C-14	6.205.862.001	S	Push buttons
C-15	6.205.860.001	S	Window service panel
C-16	6.206.629.000	S	Reed switch B 20(HW)
C-17	6.006.010.055	S	Cable clip
C-18	6.006.010.078	S	Wire clip 10 mm



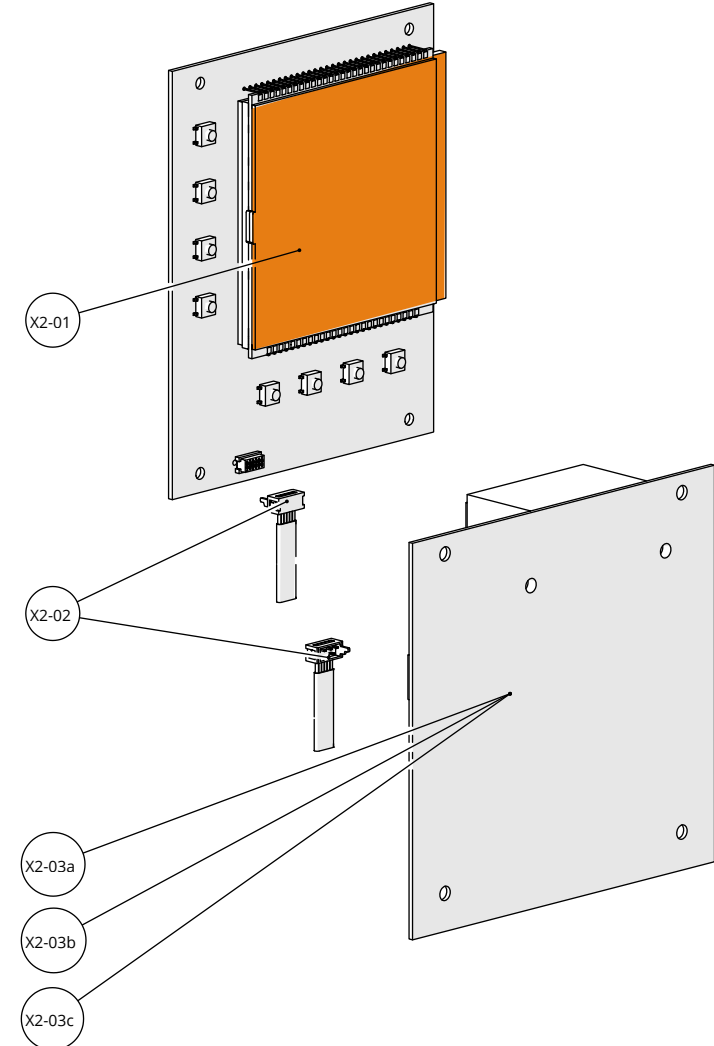
ID	Service parts	S-RS	Description
X1-01	6.205.861.000	RS	Keyboard B (HW)-series
X1-02	6.205.919.000	RS	Flat cable
X1-03a	6.205.874.000	RS	Mainboard B HW-series (230V)
X1-03b	6.205.956.000	RS	Mainboard B HW-series (200V)
X1-03c	6.205.958.000	RS	Mainboard B HW-series (120V)

To the green display X1-01 belong the specific parts X1-02 and X1-03. The parts of X1 and X2 are NOT interchangeable, but it is possible to replace all 3 parts together (X2-01, X2-02 and X2-03) on a machine with a green display. Used till may 2013.

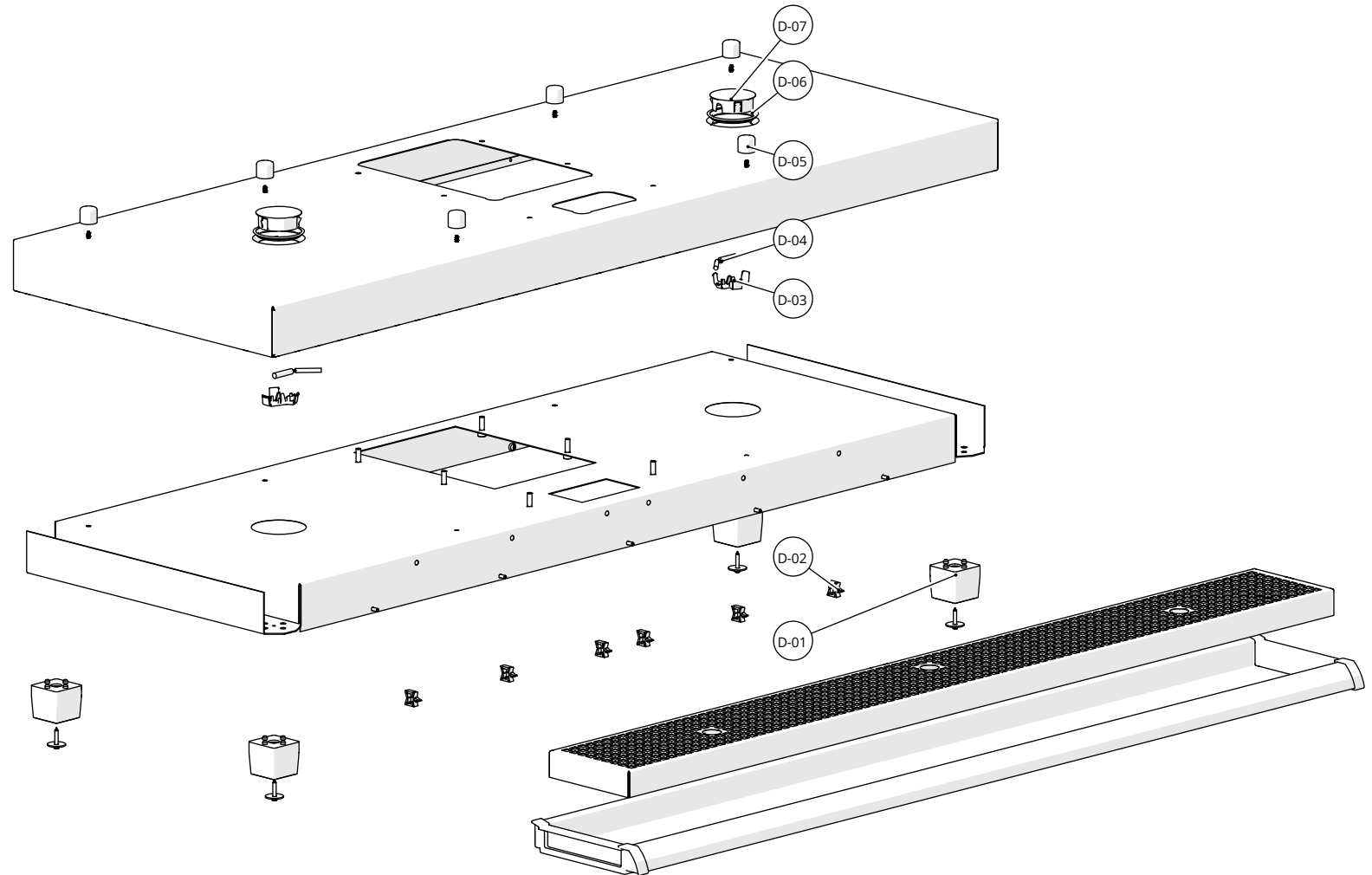


ID	Service parts	S-RS	Description
X2-01	6.305.034.000	RS	Keyboard B (HW)-series
X2-02	6.305.043.000	RS	Flat cable
X2-03a	6.305.036.000	RS	Mainboard B HW-series (230V)
X2-03b	6.305.038.000	RS	Mainboard B HW-series (200V)
X2-03c	6.305.040.000	RS	Mainboard B HW-series (120V)

To the orange display X2-01 belong the specific parts X2-02 and X2-03. The parts of X2 and X1 are NOT interchangeable. Used from june 2013.



ID	Service parts	S-RS	Description
D-01	6.311.072.001	S	Foot B-series
D-02	6.006.010.084	DT	Cable clip
D-03	6.311.218.001	S	Reed switch safety
D-04	6.206.630.000	S	Reed switch
D-05	6.311.126.001	S	Cam
D-06	6.311.204.001	S	Sealing ring base B-series
D-07	6.311.203.001	S	Cap reed contact switch



ID	Service parts	S-RS	Description
E-01	6.243.233.001	S	Handle VHG 20
E-02	6.240.145.001	S	Knob lid
E-03	6.006.001.101	S	Cord inlet with pull relief
E-04	6.311.196.001	S	Magnet support
E-05	6.017.003.006	S	Magnet
E-06	6.004.001.081	RS	Switch 230V
E-07	6.240.139.001	S	Cord support grey
E-08	6.011.001.055	RS	O-ring 24x2
E-09	6.243.243.000	RS	PTC element VHG 20
E-10	6.243.239.000	S	Inner urn VH(G)20
E-11	6.240.134.001	S	Cap gauge glass
E-12	6.243.231.001	S	Case for gauge glass VHG 20
E-13	6.243.240.001	S	Strip for gauge glass VHG 20
E-14	6.243.232.001	S	Gauge glass VHG 20
E-15	6.011.001.112	S	O-ring 12x3
E-16	6.015.001.366	S	Upper part tap
E-17	6.242.191.001	S	Tap handle
E-18	6.242.183.001	S	Screw cap tap housing
E-19	6.015.001.027	RS	Spring
E-20	6.015.001.281	S	Lever rod tap
E-21	6.015.001.006	RS	Rubber cup
E-22	6.242.187.001	S	Tap cover VHG 10 / 20 / 40
E-23	6.242.181.001	S	Tap housing VHG 10 / 20 / 40
E-24	6.011.001.057	RS	O-ring 14x3.5

